

Технические характеристики

По вопросам продаж и поддержки обращайтесь:

Алматы (7273)495-231	Казань (843)206-01-48	Новокузнецк (3843)20-46-81	Смоленск (4812)29-41-54
Архангельск (8182)63-90-72	Калининград (4012)72-03-81	Новосибирск (383)227-86-73	Сочи (862)225-72-31
Астрахань (8512)99-46-04	Калуга (4842)92-23-67	Омск (3812)21-46-40	Ставрополь (8652)20-65-13
Барнаул (3852)73-04-60	Кемерово (3842)65-04-62	Орел (4862)44-53-42	Сургут (3462)77-98-35
Белгород (4722)40-23-64	Киров (8332)68-02-04	Оренбург (3532)37-68-04	Тверь (4822)63-31-35
Брянск (4832)59-03-52	Краснодар (861)203-40-90	Пенза (8412)22-31-16	Томск (3822)98-41-53
Владивосток (423)249-28-31	Красноярск (391)204-63-61	Пермь (342)205-81-47	Тула (4872)74-02-29
Волгоград (844)278-03-48	Курск (4712)77-13-04	Ростов-на-Дону (863)308-18-15	Тюмень (3452)66-21-18
Вологда (8172)26-41-59	Липецк (4742)52-20-81	Рязань (4912)46-61-64	Ульяновск (8422)24-23-59
Воронеж (473)204-51-73	Магнитогорск (3519)55-03-13	Самара (846)206-03-16	Уфа (347)229-48-12
Екатеринбург (343)384-55-89	Москва (495)268-04-70	Санкт-Петербург (812)309-46-40	Хабаровск (4212)92-98-04
Иваново (4932)77-34-06	Мурманск (8152)59-64-93	Саратов (845)249-38-78	Челябинск (351)202-03-61
Ижевск (3412)26-03-58	Набережные Челны (8552)20-53-41	Севастополь (8692)22-31-93	Череповец (8202)49-02-64
Иркутск (395)279-98-46	Нижний Новгород (831)429-08-12	Симферополь (3652)67-13-56	Ярославль (4852)69-52-93
Россия (495)268-04-70	Киргизия (996)312-96-26-47	Казахстан (7172)727-132	



Twin screw pump with motor directly

Application

Twin-screw pump has self-priming ability and can transport various complex conditions such as solid particles, gas-liquid mixture, high viscosity, low viscosity and material transportation and extraction; it not only used for material extraction and Conveying, also applicable to CIP and SIP systems, it can reduce pipeline, valve control, CIP dedicated pumps, Not only improve efficiency but also reduces costs. The pump also has the performance that other volumetric pumps do not have, such as no pulse phenomenon, no damage to particles, high pressure, speed range and large flow range.

Technical specifications

Max flow: 110m³/h

Max Particles: 23mm

Max pressure: 20 bar

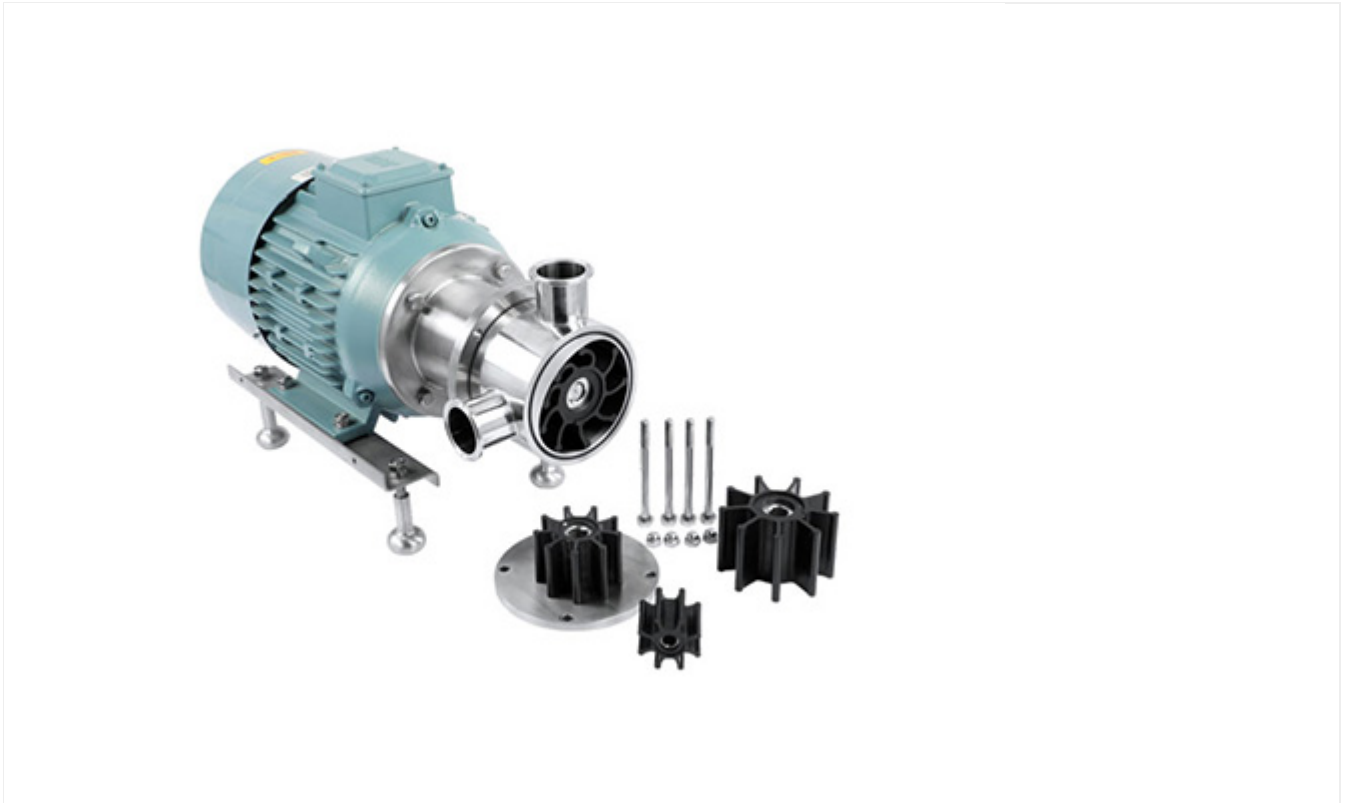
Speed range: 10-3500 R.P.M

Working temperature (Max Temperature): -40 ° C to 150 ° C

Surface treatment: Ra≤0.6μm; EP=Ra0.4μm

Material: 100% stainless steel, medium contact part 316L.

Certification: 3-A-02-11 No.1759; FDA 177.2600; CE-MD/06-42 No .705201402401-00



Flexible impeller pump

Application

RX series flexible pump is a positive displacement pump with excellent self-priming performance, its self-priming capacity can reach 5 meters. The efficiency of pumping viscous products almost reaches the effect of pumping water. Therefore, it has a wide application range. The pumping process is very smooth and gentle, and it will never beat or damage the product, even if it is fragile like high fat milk fat. Large berries can pass through the pump without damage, even half the size of a peach, the pump operates completely without pulsation. It can also be used as a dosing pump by adjusting the speed of the pump.

Technology size

最大流量 (Max flow) : 20m³/h

最大压力 (Max pressure) : 4 bar

最大吸程 (Max suction) : 5 M

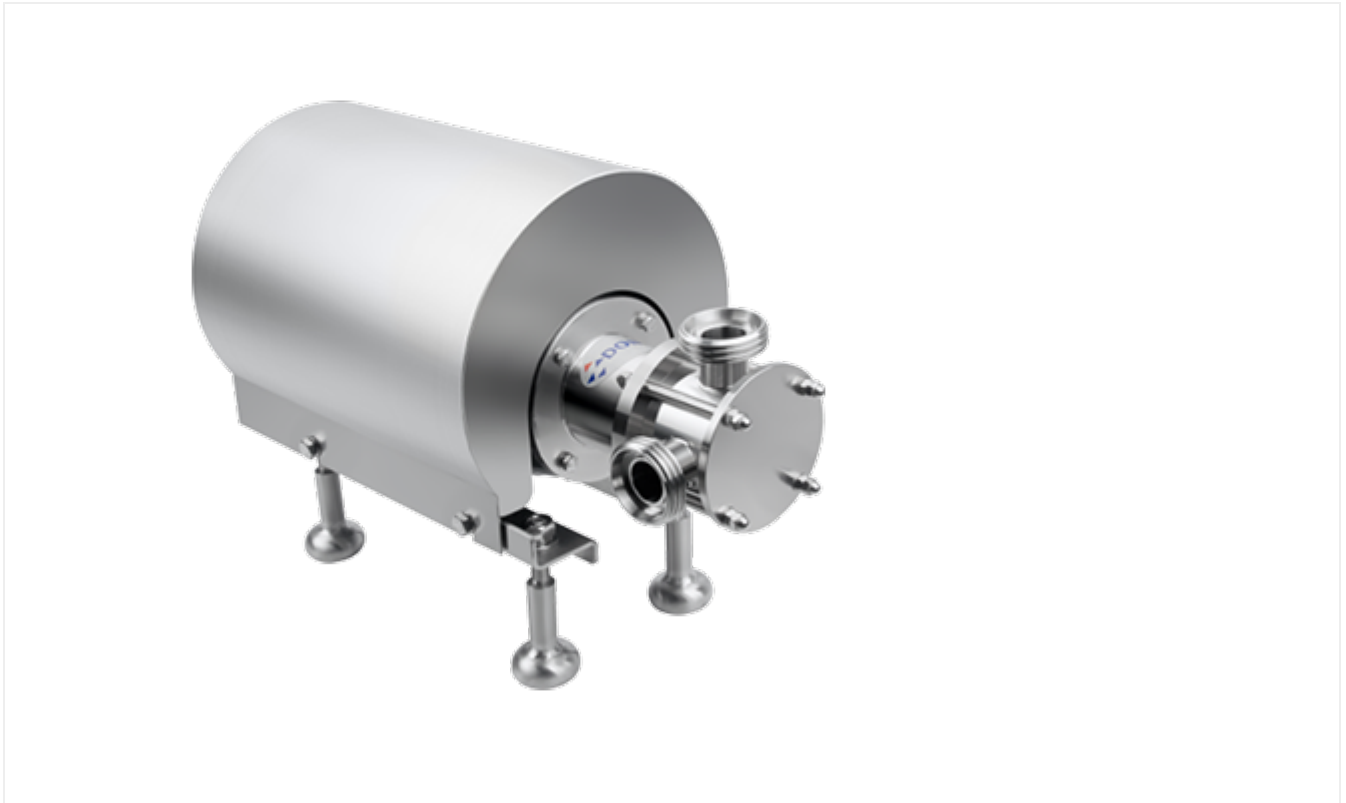
最高温度 (Max Temperature): 80°C

转速 (Rotating speed:) : 1450 R.P.M

材质 (Material) : 316L/1.4404

表面处理 (Surface treatment) : Ra≤0.6μm ; EP=Ra0.4μm

认证(Certification) : 3-A-02-11 No.1759 ; FDA 177.2600 ; CE-MD/06-42 No.705201616101-00



Flexible impeller pump

Application

The RX series of flexible vane pumps are volumetric pumps with excellent self-priming performance and have self-priming capacity up to 5 meters. The viscous product delivers almost the same efficiency as pumping, so it is very versatile, suction treatment is very smooth and soft, never whipping or damaging the product, even fragile products like high fat cream. Large berries, even like half of peach can be pumped without damage, the pump run completely pulsating. It can also be used as a dosing pump by adjusting the pump speed.

Technical specifications

Max flow: 20m³/h

Max pressure: 4 bar

Max suction: 5 M

Max Temperature: 80°C

Rotating speed : 1450 R.P.M

Material : 316L/1.4404

Surface treatment : Ra≤0.6μm ; EP=Ra0.4μm

Certification : 3-A-02-11 No.1759 ; FDA 177.2600 ; CE-MD/06-42 No.705201616101-00

По вопросам продаж и поддержки обращайтесь:

Алматы (7273)495-231	Казань (843)206-01-48	Новокузнецк (3843)20-46-81	Смоленск (4812)29-41-54
Архангельск (8182)63-90-72	Калининград (4012)72-03-81	Новосибирск (383)227-86-73	Сочи (862)225-72-31
Астрахань (8512)99-46-04	Калуга (4842)92-23-67	Омск (3812)21-46-40	Ставрополь (8652)20-65-13
Барнаул (3852)73-04-60	Кемерово (3842)65-04-62	Орел (4862)44-53-42	Сургут (3462)77-98-35
Белгород (4722)40-23-64	Киров (8332)68-02-04	Оренбург (3532)37-68-04	Тверь (4822)63-31-35
Брянск (4832)59-03-52	Краснодар (861)203-40-90	Пенза (8412)22-31-16	Томск (3822)98-41-53
Владивосток (423)249-28-31	Красноярск (391)204-63-61	Пермь (342)205-81-47	Тула (4872)74-02-29
Волгоград (844)278-03-48	Курск (4712)77-13-04	Ростов-на-Дону (863)308-18-15	Тюмень (3452)66-21-18
Вологда (8172)26-41-59	Липецк (4742)52-20-81	Рязань (4912)46-61-64	Ульяновск (8422)24-23-59
Воронеж (473)204-51-73	Магнитогорск (3519)55-03-13	Самара (846)206-03-16	Уфа (347)229-48-12
Екатеринбург (343)384-55-89	Москва (495)268-04-70	Санкт-Петербург (812)309-46-40	Хабаровск (4212)92-98-04
Иваново (4932)77-34-06	Мурманск (8152)59-64-93	Саратов (845)249-38-78	Челябинск (351)202-03-61
Ижевск (3412)26-03-58	Набережные Челны (8552)20-53-41	Севастополь (8692)22-31-93	Череповец (8202)49-02-64
Иркутск (395)279-98-46	Нижний Новгород (831)429-08-12	Симферополь (3652)67-13-56	Ярославль (4852)69-52-93
Россия (495)268-04-70	Киргизия (996)312-96-26-47	Казахстан (7172)727-132	